



*overseas model shown.

MIGHTY EX10 SUPER CAB

MIGHTY

6 SPEED MANUAL

KEY FEATURES

KEY SPECIFICATIONS

Vehicle Dynamic Control (VDC)

GVM EX10 10,300kg

Vacuum Assist Hydraulic Brake (VAH)

GVM EX10 Application Specific

Driver's Suspension Seat

Engine 3.9L Diesel 4 Cylinder Turbo Euro 5

Hill Start Assist (HSA)

Power 170hp@2,500rpm

Traction Control System (TCS)

Torque 608Nm@1,400rpm

Four Wheel Disc Brakes

Transmission 6 speed Manual

SRS Airbags Driver & Passenger

Wheelbase MWB 3.6m, LWB 4.05m, ELWB 4.4m

Cruise Control

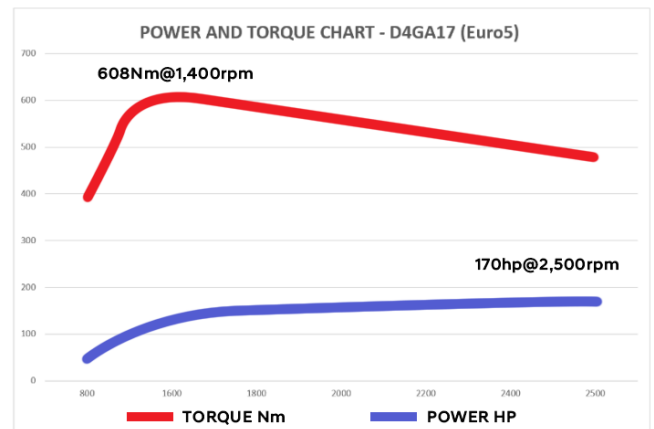
Max. Body Length MWB 4.6m, LWB 5.3m, ELWB 6.0m

READY BUILT. READY TO WORK.

ENGINE

Engine Model (MT/AT)	Hyundai D4GA17
Engine Type	Diesel, 3.9L (Euro 5) Inline 4 Cylinder Turbo
Max. Output (MT/AT)	170hp@2,500rpm
Max. Torque (MT/AT)	392Nm @1,400rpm / 608Nm@1,400rpm
Max. Engine R.P.M	2,800 RPM
Fuel Injection	Electrical type by ECU
Cooling System	Water cooling type with thermostat
Compression Ratio	17.0: 1
Piston Displacement	3,933 cc
Bore and Stroke	103 x 118 (mm)
Valve System	SOHC, 4 valves per cylinder
Exhaust	Conventional (horizontal) type
Alternator	24V-55A
Engine Immobilizer	Equipped

POWER & TORQUE CHART



TRANSMISSION & GEAR RATIOS

GEAR RATIOS	Manual Transmission (T060S5) 6 Speed Manual	
	1	6.701
	2	3.712
	3	2.084
	4	1.351
	5	1.000
	6	0.732
	Reverse	5.983
Gear Shaft	Floor shift, Mechanical Remote Control	
Rear Axle Ratio	4.625	

SAFETY FEATURES

Vehicle Dynamic Control	Standard
Electronic Stability Control	Standard
Anti-lock Brake System	Standard
Traction Control System	Standard
Daytime Running Lights	Standard
SRS Airbag	Driver & Passenger
Hill Start Assist	Standard
Cruise Control	Standard
Driver's Suspension Seat	Standard

BRAKES

Type	4 wheel Drum Brakes
Front Disc Diameter	325mm
Rear Disc Diameter	325mm
Adjuster	Installed
Actuation	Full Air + ABS + ASR
Parking Brake	Full air, dual circuit fixed S CAM with spiring loaded chambers

SUSPENSION & LOAD LIMITS

Front Axle Type	Reverse Eliot Type "I" Beam
Front Axle Capacity	3,700 kg
Rear Axle Type	Full Floating Type
Rear Axle Capacity	6,600 kg
Suspension Types	Multi / Multi
Shock Absorber	Double Acting
Spring Size Front (mm)	1,200 x 70 x 10t-8, 11t-1
Spring Size Rear (mm)	Main - 1,250 x 70 x 10t-2 + 11t-5 Helper - 990 x 70 x 17t-4

CLUTCH (MANUAL MODELS)

Type	Hydraulic control (air assisted), Diaphragm spring, Single dry plate, Pre-damper
Facing Size	362 mm (outside diameter) x 236 mm (inside diameter)
Facing Material	Non-Asbestos

WHEELS & TYRES

Wheel Type	Single Front, Dual Rear
Wheel Size	Front, Rear: 17,5 x 6,00
Material	Steel
Tyre Size	Front: 225/75R17,5 - 12PR Rear: 225/75R17,5 - 12PR
Number of Tyres	6
Spare Tyre Carrier	Equipped

ELECTRICAL

Type	24V Electrical System
Battery	2 x MF 90Ah Batteries
Alternator	24V-55A
Starter Type	24V-5,0KW
Interior & Reading Lamps	LED

CHASSIS FRAME

Wheelbase Variants	MWB	LWB	ELWB
Wheelbase (mm)	3,600	4,050	4,400
Overall Length (mm)	6,370	6,870	7,370
Cab to Rear Axle	2,710	3,160	3,510
Cab to End of Frame	4,290	4,790	5,290
Min. Ground Clearance	185	185	185

PERFORMANCE

Transmission	Manual
Application Engine	D4GA14
Max. Speed (km/h)	106
Max. Gradeability (tan [^])	0,432

FUEL TANK

Material	Steel
Fuel Capacity	100L
Fuel Cap	Equipped

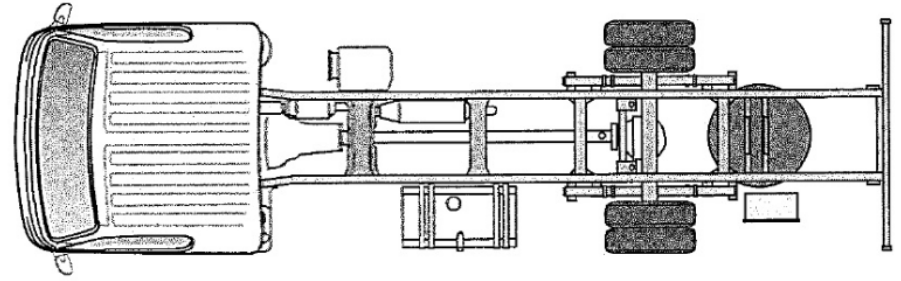
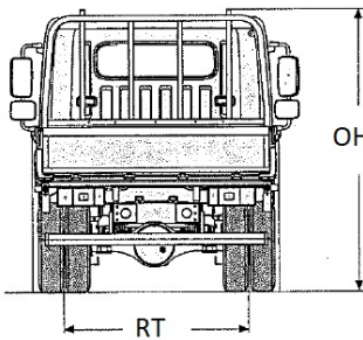
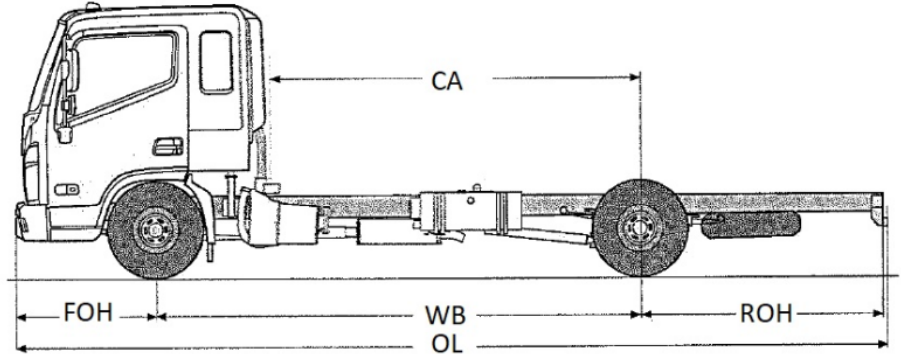
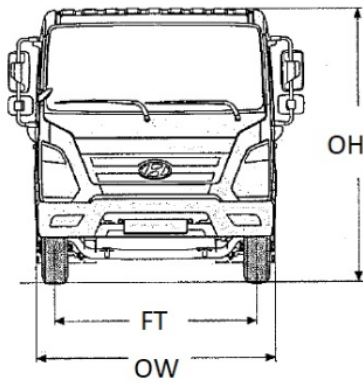
STEERING

Steering Type	4-Spoke, Ball-nut type, Tilt & Telescopic steering column
Steering Gear Ratio	20,1 (Tilting Angle: -3,7 ~ 5,8°)
Inside Steering Angle	44"
Outside Steering Angle	32"
Telescopic Stroke (mm)	60mm

CAB DETAILS

CAB Type	Standard CAB
Seating Capacity	3
Seat Belts	Equipped
Sun Visor & Overhead Console	Equipped
Windscreen Wipers	2-Arm Wiper & Washers
Rear View Mirrors	External
Grille Colour	Black
Cab Heater & Air Conditioner	Equipped
Floor Covering	Vinyl Type
Central Locking & Keyless Entry	Equipped + Immobilizer
Cab Storage Pockets	Equipped
Power Windows	Equipped
Reverse Alarm	Equipped



DIMENSIONS - (mm) / WEIGHTS - (kg)


Wheelbase	MWB	LWB	ELWB	Wheelbase	MWB	LWB	ELWB
WB	3,600	4,050	4,400	FT	1,690	1,690	1,690
OL	6,370	6,870	7,370	RT	1,650	1,650	1,650
OW	2,020	2,020	2,020	Curb Weight	2,885	2,900	2,925
OH	2,360	2,360	2,360	Front Curb Weight	1,935	1,940	1,990
CA	2,710	3,160	3,510	Rear Curb Weight	950	960	935
FOH	1,125	1,125	1,125	Gross Vehicle Weight	10,300	10,300	10,300
ROH	1,645	1,695	1,845	Front Axle Capacity	3,700	3,700	3,700
				Rear Axle Capacity	6,600	6,600	6,600

HYUNDAI MIGHTY WARRANTY
LIGHT DUTY RANGE
AXLE CONFIGURATION
STANDARD WARRANTY
(whichever comes first)
CAB CORROSION / PERFORATION

MIGHTY EX10

4X2

 5 Years or 300,000km
(effective from 2021 production)

5 years

Battery warranty – 12 months from date of delivery
 * For conditions, refer to the Hyundai Trucks Parts & Service warranty manual

Disclaimer: Hyundai Trucks Australia reserves the right to alter vehicle specifications and equipment levels without notice. Some equipment featured on the vehicle in this brochure may not be available in Australia or may be optional to the extent permitted by the law. Hyundai Trucks Australia shall not be liable to any person as a result of reliance on the content of this document. Please consult your Hyundai Truck Dealer for the latest specifications, equipment levels, options, prices, colours and vehicle availability. Note: Information in this brochure is current as at 01/01/2021

You are never alone on the road in a Hyundai Mighty series truck. When you are covered by Hyundai's 24/7 3 year nationwide truck roadside assist, you will never find yourself stranded.


READY BUILT. READY TO WORK.

AVAILABLE FACTORY BODY OPTIONS

FLAT DECK

Length x Width x Height	LWB	ELWB
Deck Area	5,100mm x 2,450mm	6,000mm x 2,450mm
Est. Weight	889kg	986kg

