



*overseas model shown.

MIGHTY EX4/6 STANDARD CAB

MIGHTY

5 SPEED MANUAL | 6 SPEED AUTOMATIC



KEY FEATURES

KEY SPECIFICATIONS

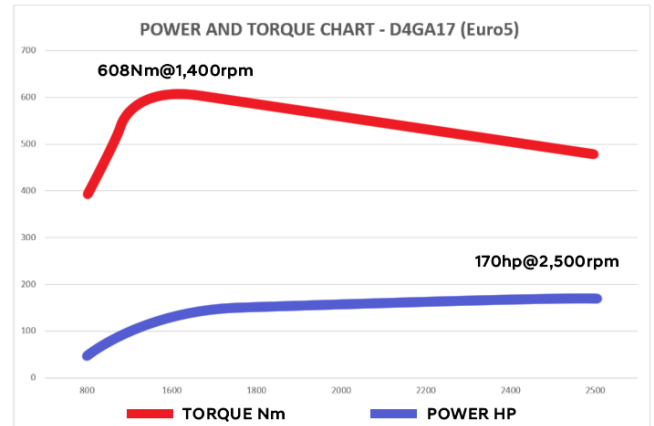
Vehicle Dynamic Control (VDC)	GVM EX4/EX6 4,500kg / 6,500kg
Vacuum Assist Hydraulic Brake (VAH)	GVM EX4/EX6 8,000kg / 10,000kg
Driver's Suspension Seat	Engine 3.9L Diesel 4 Cylinder Turbo Euro 5
Hill Start Assist (HSA)	Power 140hp@2,800rpm (Manual) / 170hp@2,500rpm (Auto)
Traction Control System (TCS)	Torque 392Nm@1,400rpm (Manual) / 608Nm@1,400rpm (Auto)
Four Wheel Disc Brakes	Transmission 5 speed Manual / 6 speed Automatic
SRS Airbags Driver & Passenger	Wheelbase SWB 2.85m, MWB 3.4m, LWB 3.85m
Cruise Control	Max. Body Length SWB 3.8m, MWB 4.7m, LWB 5.4m

READY BUILT. READY TO WORK.

ENGINE

Engine Model (MT/AT)	Hyundai D4GA14 / D4GA17
Engine Type	Diesel, 3.9L (Euro 5) Inline 4 Cylinder Turbo
Max. Output (MT/AT)	140hp @2,800rpm / 170hp@2,500rpm
Max. Torque (MT/AT)	392Nm @1,400rpm / 608Nm@1,400rpm
Max. Engine R.P.M	2,800 RPM
Fuel Injection	Electrical type by ECU
Cooling System	Water cooling type with thermostat
Compression Ratio	17.0: 1
Piston Displacement	3,933 cc
Bore and Stroke	103 x 118 (mm)
Valve System	SOHC, 4 valves per cylinder
Exhaust	Conventional (horizontal) type
Alternator	24V-55A
Engine Immobilizer	Equipped

POWER & TORQUE CHART



TRANSMISSION & GEAR RATIOS

GEAR RATIOS	Manual Transmission (T060S5) 5 Speed Manual		Automatic Transmission (Allison T1000) 6 Speed Automatic	
1	5.810	1	3.10	
2	5.810	2	1.81	
3	1.787	3	1.41	
4	1.000	4	1.00	
5	0.705	5	0.71	
6	N/A	6	0.61	
Reverse	5.294	Reverse	4.49	
Gear Shaft	Floor Shift	Mechanical Remote Control		
Rear Axle Ratio	4.625	3.727		

SAFETY FEATURES

Vehicle Dynamic Control	Standard
Electronic Stability Control	Standard
Anti-lock Brake System	Standard
Traction Control System	Standard
Daytime Running Lights	Standard
SRS Airbag	Driver & Passenger
Hill Start Assist	Standard
Cruise Control	Standard
Driver's Suspension Seat	Standard

BRAKES

Type	4 wheel Disc Brakes
Front Disc Diameter	320mm
Rear Disc Diameter	320mm
Adjuster	Installed
Actuation	Hydraulic with vacuum servo assistance, dual circuit
Parking Brake	Internal expanding type on propeller shaft at the rear of transmission assembly

SUSPENSION & LOAD LIMITS

Front Axle Type	Reverse Eliot Type "I" Beam
Front Axle Capacity	2,760 kg
Rear Axle Type	Full Floating Type
Rear Axle Capacity	4,700 kg
Suspension Types	Semi-elliptic, laminated leaf springs
Shock Absorber	Double Acting
Spring Size Front (mm)	1,200 x 70 x 10t-4, 11t-1
Spring Size Rear (mm)	Main - 1,250 x 70 x 10t-4, 11t-1 Helper - 990 x 70 x 17t-2

CLUTCH (MANUAL MODELS)

Type	Hydraulic control (air assisted), Diaphragm spring, Single dry plate, Pre-damper
Facing Size	362 mm (outside diameter) x 236 mm (inside diameter)
Facing Material	Non-Asbestos

WHEELS & TYRES

Wheel Type	Single Front, Dual Rear
Wheel Size	Front, Rear: 17.5 x 5,25
Material	Steel
Tyre Size	Front: 205/75R17.5 Rear: 205/75R17.5
Number of Tyres	6
Spare Tyre Carrier	Equipped

ELECTRICAL

Type	24V Electrical System
Battery	2 x MF 90Ah Batteries
Alternator	24V-55A
Starter Type	24V-5,0KW
Interior & Reading Lamps	LED

CHASSIS FRAME

Wheelbase Variants	SWB	MWB	LWB
Wheelbase (mm)	2,800	3,400	3,850
Overall Length (mm)	5,300	6,110	6,620
Cab to Rear Axle	2,260	2,810	3,260
Cab to End of Frame	3,520	4,340	4,840
Min. Ground Clearance	185	185	195

PERFORMANCE

Transmission	Manual	Automatic
Application Engine	D4GA14	D4GA17
Max. Speed (km/h)	113.4	133.4
Max. Gradeability (tan [^])	0.355	0.489

FUEL TANK

Material	Steel
Fuel Capacity	100L
Fuel Cap	Equipped

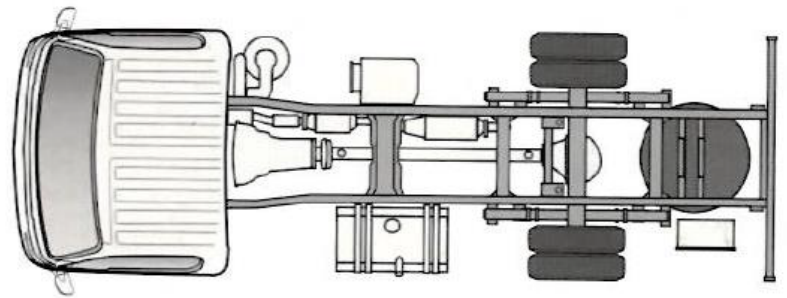
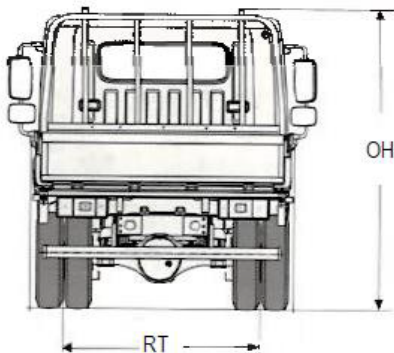
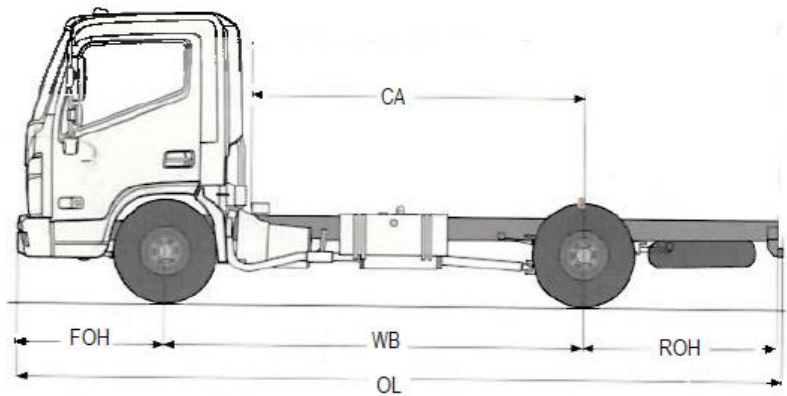
STEERING

Steering Type	4-Spoke, Ball-nut type, Tilt & Telescopic steering column
Steering Gear Ratio	20,1 (Tilting Angle: -3.7 ~ 5.8°)
Inside Steering Angle	44"
Outside Steering Angle	32"
Telescopic Stroke (mm)	60mm

CAB DETAILS

CAB Type	Standard CAB
Seating Capacity	3
Seat Belts	Equipped
Sun Visor & Overhead Console	Equipped
Windscreen Wipers	2-Arm Wiper & Washers
Rear View Mirrors	External
Grille Colour	Black
Cab Heater & Air Conditioner	Equipped
Floor Covering	Vinyl Type
Central Locking & Keyless Entry	Equipped + Immobilizer
Cab Storage Pockets	Equipped
Power Windows	Equipped
Reverse Alarm	Equipped



DIMENSIONS - (mm) / WEIGHTS - (kg)


Wheelbase	SWB	MWB	LWB	Wheelbase	SWB	MWB	LWB
WB	2,850	3,400	3,850	FT	1,695	1,695	1,695
OL	5,300	6,110	6,620	RT	1,575	1,575	1,575
OW	2,020	2,020	2,020	Curb Weight	2,620	2,635	2,715
OH	2,275	2,275	2,275	Front Curb Weight	1,750	1,775	1,780
CA	2,260	2,810	SWB	Rear Curb Weight	870	860	915
FOH	1,125	1,125	1,125	Gross Vehicle Weight	4,500/6,500	4,500/6,500	4,500/6,500
ROH	1,260	1,530	1,580	Front Axle Capacity	2,760	2,760	2,760
				Rear Axle Capacity	4,700	4,700	4,700

HYUNDAI MIGHTY WARRANTY
LIGHT DUTY RANGE
AXLE CONFIGURATION
**STANDARD WARRANTY
(whichever comes first)**
CAB CORROSION / PERFORATION

MIGHTY EX4/6

4X2

 5 Years or 300,000km
 (effective from 2021 production)

5 years

Battery warranty – 12 months from date of delivery
 * For conditions, refer to the Hyundai Trucks Parts & Service warranty manual

Disclaimer: Hyundai Trucks Australia reserves the right to alter vehicle specifications and equipment levels without notice. Some equipment featured on the vehicle in this brochure may not be available in Australia or may be optional to the extent permitted by the law. Hyundai Trucks Australia shall not be liable to any person as a result of reliance on the content of this document. Please consult your Hyundai Truck Dealer for the latest specifications, equipment levels, options, prices, colours and vehicle availability. Note: Information in this brochure is current as at 01/01/2021

You are never alone on the road in a Hyundai Mighty series truck. When you are covered by Hyundai's 24/7 3 year nationwide truck roadside assist, you will never find yourself stranded.


READY BUILT. READY TO WORK.

AVAILABLE FACTORY BODY OPTIONS

STEEL TRAY

Length x Width x Height	SWB	MWB
Dimensions	3,500mm x 2,300mm x 350mm	3,500mm x 2,300mm x 350mm
Est. Weight	700kg	770kg



TIPPER

Length x Width x Height	SWB
Dimensions	3,100mm x 1,860mm x 400mm
Est. Weight	750kg

*Available in manual transmission only



PANTECH

Length x Width x Height	SWB	MWB
Dimensions	3,600mm x 2,100mm x 1,900mm	4,200mm x 2,390mm x 1,900mm
Est. Weight	950kg	1,100kg

*Available options – Side Door, E-track, Tie Rails, Rear Roller Door, Triple Rear Door
 (Please note the internal dimensions may differ depending on side door option)



CHILLER PANTECH

Length x Width x Height	SWB	MWB
Dimensions	3,600mm x 2,100mm x 1,900mm	4,200mm x 2,390mm x 1,900mm
Est. Weight	980kg	1,150kg
Operating Temp	0°C - 4°C	0°C - 4°C

*Available options – Side Door, E-track, Tie Rails, Rear Roller Door, Triple Rear Door
 (Please note the internal dimensions may differ depending on side door option)



FREEZER PANTECH

Length x Width x Height	SWB	MWB
Dimensions	3,600mm x 2,100mm x 1,900mm	4,200mm x 2,390mm x 1,900mm
Est. Weight	1,000kg	1,210kg
Operating Temp	Standard -10°C	Standard -7°C
Based on actual testing at 32°C (ambient temperature)	Premium -17°C	Premium -12°C
		Premium Plus -17°C

*Available options – Side Door, E-track, Tie Rails, Rear Roller Door, Triple Rear Door (Please note the internal dimensions may differ depending on Premium and side door options). Factory body warranty - 12 months from date of delivery

