

# MIGHTY EX4/6 – EURO 6 STANDARD CAB



\*Actual vehicle may differ from above image

**4 x 2 Standard Cab Chassis**

## KEY FEATURES

## KEY SPECIFICATIONS

Vehicle Dynamic Control (VDC)	<b>GVM EX4/EX6</b>	4,500kg / 6,500kg
Autonomous Emergency Braking System (AEBS)	<b>GCM EX4/EX6</b>	8,000kg / 10,000kg
Driver's Suspension Seat	<b>Engine</b>	3.9L Diesel 4 Cylinder Turbo Euro 6
ADR 80/04 (Euro VI) Compliant	<b>Power</b>	170ps/125kW
Lane Departure Warning System (LDWS)	<b>Torque</b>	608Nm
Four Wheel Disc Brakes	<b>Transmission</b>	5 speed Manual / 6 speed Automatic
SRS Airbags Driver & Passenger	<b>Wheelbase</b>	SWB 2.85m, MWB 3.4m, LWB 3.85m
Cruise Control	<b>Max. Body Length</b>	SWB 3.8m, MWB 4.7m, LWB 5.4m

**READY BUILT, READY TO WORK**

 **HYUNDAI TRUCK & BUS**

## ENGINE

Engine Model	Hyundai D4GB17
Engine Type	Diesel 3.9L Inline 4 Cylinder Turbo
Max. Output	170ps@2,500rpm
Max. Torque	608Nm@1,400rpm
Emission Level	ADR 80/04 - Euro VI
Fuel Injection	Electrical type by ECU
Cooling System	Water cooling type with thermostat
Compression Ratio	17.1: 1
Piston Displacement	3,933 cc
Bore and Stroke	103 x 118 (mm)
Valve System	SOHC, 4 valves per cylinder
Exhaust	Catalytic Converter DOC/DPF/SCR
Alternator	24V-55A
Engine Immobilizer	Equipped



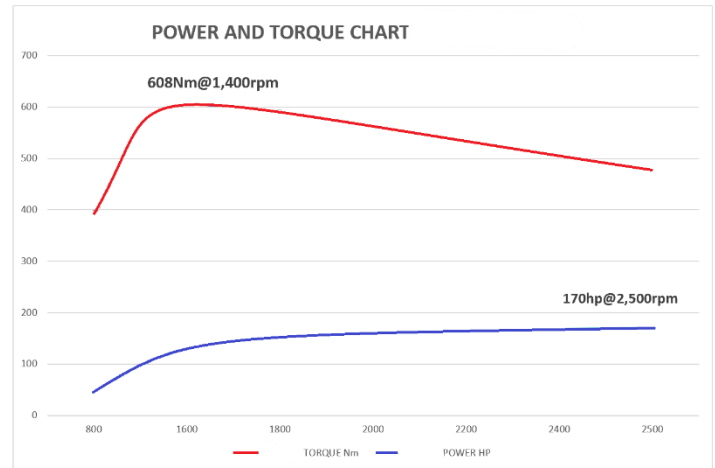
## TRANSMISSION & GEAR RATIOS

Model & Description	Manual Transmission (T060S5)		Automatic Transmission (Allison T1000)	
	5 Speed Manual		6 Speed Automatic	
Gear Ratios	1	5.810	1	3.102
	2	3.281	2	1.811
	3	1.787	3	1.406
	4	1.000	4	1.000
	5	0.705	5	0.712
	6	N/A	6	0.614
	REVERSE	5.294	REVERSE	4.492
Gear Shaft	Floor Shift		Mechanical Remote Control	
Rear Axle Ratio	3.727		4.111	

## BRAKES

Type	4 wheel Disc Brakes
Actuation	Hydraulic with vacuum servo assistance, dual circuit
Front Disc Size	Disc 107 mm x 21.5mm
Rear Disc Size	Disc 107 mm x 21.5mm
Adjuster	Installed
Vehicle Stability Control (VSC)	Equipped
Parking Brake	Internal expanding type on propeller shaft at the rear of transmission assembly
Anti-lock Brake System (ABS)	Equipped
Electronic Braking System (EBS)	Equipped
Autonomous Emergency Braking System (AEBS)	Equipped

## POWER AND TORQUE CHART



## SAFETY FEATURES

Vehicle Dynamic Control	VDC (Equipped)
Electronic Stability Control	ESC (Equipped)
Anti-lock Brake System	ABS (Equipped)
Traction Control System	TCS (Equipped)
Lane Departure Warning System	LDWS (Equipped)
SRS Airbag	Driver & Passenger
Autonomous Emergency Braking System	AEBS (Equipped)
Cruise Control	CC (Equipped)
Driver's Suspension Seat	Equipped

## SUSPENSION & LOAD LIMITS

Front Axle Type	Reverse Eliot Type "I" Beam	
Front Axle Capacity	2,760 kg	
Rear Axle Type	Full Floating Type	
Rear Axle Capacity	4,700 kg	
Suspension Types	Semi-elliptic, laminated leaf springs	
Shock Absorber	Double Acting	
Spring Size Front (mm)	1,200 x 70 x 10t-4, 11t-1	
Spring Size Rear (mm)	Main	Helper
	1,250 x 70 x 10t-4, 11t-1	990 x 70 x 17t-2

## CLUTCH (MANUAL MODELS)

Type	Hydraulic control (air assisted), Diaphragm spring, Single dry plate, Pre-damper
Facing Size	362 mm (outside diameter) x 236 mm (inside diameter)
Facing Material	Non-Asbestos

## WHEELS & TYRES

Wheel Type	Single Front, Dual Rear
Wheel Size	Front, Rear: 17.5 x 5.25
Material	Steel
Tyre Size	Front: 205/75R17.5 Rear: 205/75R17.5
Number of Tyres	6
Spare Tyre Carrier	Equipped

## ELECTRICAL

Type	24V Electrical System
Battery	2 x MF 90Ah Batteries
Alternator	24V-55A
Starter Type	24V-5.0KW
Interior & Reading Lamps	LED

## CHASSIS FRAME

Wheelbase Variants (mm)	SWB	MWB	LWB
Wheelbase	2,850	3,400	3,850
Overall Length	5,300	6,110	6,620
Cab to Rear Axle	2,260	2,810	3,260
Cab to End of Frame	3,520	4,340	4,840
Min. Ground Clearance	185	185	195
Min. Turning Radius	5,300	6,300	7,500

## PERFORMANCE

Transmission	Manual	Automatic
Application Engine	D4GB17	D4GB17
Max. Speed (km/h)	138.0	138.0
Max. Gradeability (tan $\theta$ )	0.554	0.554

## FUEL TANK

Material	Steel
Fuel Capacity	100L
Fuel Cap	Equipped
AdBlue Tank Capacity	15L

## STEERING

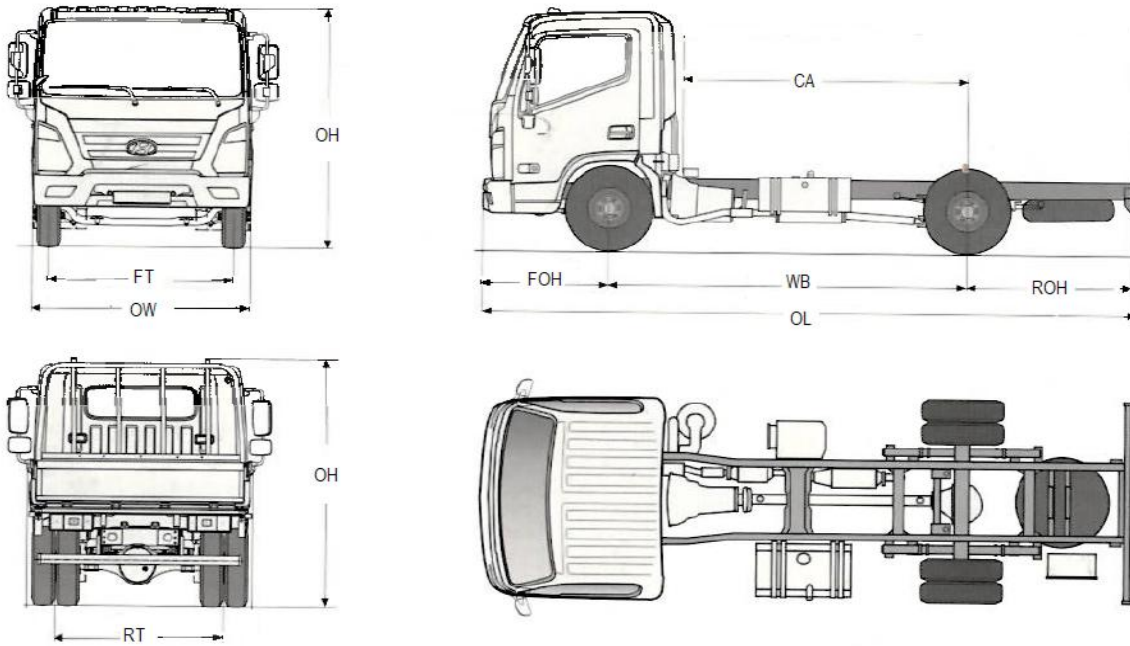
Steering Type	4-Spoke, Ball-nut type, Tilt & Telescopic steering column
Steering Gear Ratio	20.1 (Tilting Angle: -3.7 ~ 5.8°)
Inside Steering Angle	44.5°
Outside Steering Angle	32°
Telescopic Stroke	60 mm

## CAB DETAILS

CAB Type	Standard CAB
Seating Capacity	3
Seat Belts	Equipped
Sun Visor & Overhead Console	Equipped
Windscreen Wipers	2-Arm Wiper & Washers
Rear View Mirrors	External
Grille Colour	Black
Cab Heater & Air Conditioner	Equipped
Floor Covering	Vinyl Type
Central Locking & Keyless Entry	Equipped with Immobilizer
Cab Storage Pockets	Equipped
Power Windows	Equipped
Reverse Alarm	Equipped



## DIMENSIONS – (mm) / WEIGHTS – (kg)



Wheelbase	SWB	MWB	LWB
WB	2,850	3,400	3,850
OL	5,300	6,110	6,620
OW	2,020	2,020	2,020
OH	2,275	2,275	2,275
CA	2,260	2,810	3,260
FOH	1,125	1,125	1,125
ROH	1,325	1,585	1,645
FT	1,695	1,695	1,695
RT	1,575	1,575	1,575
Curb Weight	2,750	2,765	2,895
Front Curb Weight	1,820	1,855	1,900
Rear Curb Weight	930	910	995
Gross Vehicle Weight	4,500/6,500	4,500/6,500	4,500/6,500
Front Axle Capacity	2,760	2,760	2,760
Rear Axle Capacity	4,700	4,700	4,700

### HYUNDAI MIGHTY WARRANTY

LIGHT DUTY RANGE	AXLE CONFIGURATION	STANDARD WARRANTY (whichever comes first)	CAB CORROSION / PERFORATION
MIGHTY EX4/6 (cab chassis only)	4 X 2	5 years or 300,000km	3 years

Battery warranty – 12 months from date of delivery

\* For conditions, refer to the Hyundai Trucks Parts & Service warranty manual

**Disclaimer:** Hyundai Trucks Australia reserves the right to alter vehicle specifications and equipment levels without notice. Some equipment featured on the vehicle in this brochure may not be available in Australia or may be optional to the extent permitted by the law. Hyundai Trucks Australia shall not be liable to any person as a result of reliance on the content of this document.

Please consult your Hyundai Truck Dealer for the latest specifications, equipment levels, options, prices, colours and vehicle availability. Note: Information in this brochure is current as at 01/08/2025

You are never alone on the road in a Hyundai Mighty series truck.



When you are covered by Hyundai's 24/7 nationwide truck roadside assist, you will never find yourself stranded.

## AVAILABLE FACTORY BODY OPTIONS

<b>STEEL TRAY</b>	Length x Width x Height	
<b>Dimensions</b>	(SWB)	(MWB)
	3,500mm x 2,300mm x 350mm	4,350mm x 2,300mm x 350mm
<b>Est. Weight</b>	700kg	770kg



<b>PANTECH</b>	Length x Width x Height	
<b>Dimensions</b>	(SWB)	(MWB)
	3,600mm x 2,100mm x 1,900mm	4,200mm x 2,390mm x 1,900mm
<b>Est. Weight</b>	750kg	900kg



**\*Available options** – Side Door, E-track, Tie Rails, Rear Roller Door, Triple Rear Door  
*(Please note the internal dimensions may differ depending on the side door option)*

<b>CHILLER PANTECH</b>	Length x Width x Height	
<b>Dimensions</b>	(SWB)	(MWB)
	3,600mm x 2,100mm x 1,900mm	4,200mm x 2,390mm x 1,900mm
<b>Est. Weight</b>	850kg	1,000kg



**Operating Temperature** – 0 to 4°C

**\*Available options** – Side Door, E-track, Tie Rails, Rear Roller Door, Triple Rear Door  
*(Please note the internal dimensions may differ depending on the side door option)*

<b>FREEZER PANTECH</b>	Length x Width x Height	
<b>Dimensions</b>	(SWB)	(MWB)
	3,600mm x 2,100mm x 1,900mm	4,200mm x 2,390mm x 1,900mm
<b>Est. Weight</b>	900kg	1,100kg



**Operating Temperature** – down to -17°C

*Based on actual testing at 32°C  
 (ambient temperature)*

**\*Available options** – Side Door, E-track, Tie Rails, Rear Roller Door, Triple Rear Door  
*(Please note the internal dimensions may differ depending on the side door option)*

**Factory body warranty - 12 months from date of delivery**