



\*overseas model shown.

# MIGHTY EX8 SUPER CAB

**MIGHTY**

6 SPEED MANUAL | 6 SPEED AUTOMATIC



## KEY FEATURES

## KEY SPECIFICATIONS

Vehicle Dynamic Control (VDC)

**GVM EX8** 7,800kg

Vacuum Assist Hydraulic Brake (VAH)

**GVM EX8** 11,800kg

Driver's Suspension Seat

**Engine** 3.9L Diesel 4 Cylinder Turbo Euro 5

Hill Start Assist (HSA)

**Power** 140hp@2,800rpm (Manual) 170hp@2,500rpm (Auto)

Traction Control System (TCS)

**Torque** 392Nm@1,400rpm (Manual) / 608Nm@1,400rpm (Auto)

Daytime Running Lights

**Transmission** 6 speed Manual / 6 speed Automatic

SRS Airbags Driver & Passenger

**Wheelbase** LWB 4.05m, ELWB 4.4m

Cruise Control

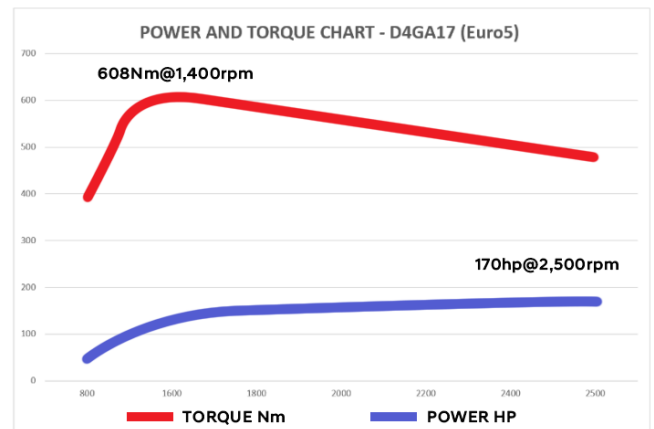
**Max. Body Length** LWB 5.3m, ELWB 6.0m

**READY BUILT. READY TO WORK.**

## ENGINE

Engine Model (MT/AT)	Hyundai D4GA17
Engine Type	Diesel, 3.9L (Euro 5) Inline 4 Cylinder Turbo
Max. Output (MT/AT)	170hp@2,500rpm
Max. Torque (MT/AT)	392Nm @1,400rpm / 608Nm@1,400rpm
Max. Engine R.P.M	2,800 RPM
Fuel Injection	Electrical type by ECU
Cooling System	Water cooling type with thermostat
Compression Ratio	17.0: 1
Piston Displacement	3,933 cc
Bore and Stroke	103 x 118 (mm)
Valve System	SOHC, 4 valves per cylinder
Exhaust	Conventional (horizontal) type
Alternator	24V-55A
Engine Immobilizer	Equipped

## POWER & TORQUE CHART



## TRANSMISSION & GEAR RATIOS

GEAR RATIOS	Manual Transmission (T060S5) 6 Speed Manual		Automatic Transmission (Allison T1000) 6 Speed Automatic	
1	6.701	1	3.10	
2	3.712	2	1.81	
3	2.084	3	1.41	
4	1.351	4	1.00	
5	1.000	5	0.71	
6	0.732	6	0.61	
Reverse	5.983	Reverse	4.49	
Gear Shaft	Floor Shift	Mechanical Remote Control		
Rear Axle Ratio	3.727	3.727		

## SAFETY FEATURES

Vehicle Dynamic Control	Standard
Electronic Stability Control	Standard
Anti-lock Brake System	Standard
Traction Control System	Standard
Daytime Running Lights	Standard
SRS Airbag	Driver & Passenger
Hill Start Assist	Standard
Cruise Control	Standard
Driver's Suspension Seat	Standard

## BRAKES

Type	4 wheel Drum Brakes
Front Disc Diameter	330mm
Rear Disc Diameter	330mm
Adjuster	Installed
Actuation	Hydraulic with vacuum servo assistance, dual circuit
Parking Brake	Internal expanding type on propeller shaft at the rear of transmission assembly

## SUSPENSION & LOAD LIMITS

Front Axle Type	Reverse Eliot Type "I" Beam
Front Axle Capacity	3,100 kg
Rear Axle Type	Full Floating Type
Rear Axle Capacity	5,100 kg
Suspension Types	Multi / Multi
Shock Absorber	Double Acting
Spring Size Front (mm)	1,200 x 70 x 11t-2, 10t-3
Spring Size Rear (mm)	Main - 1,250 x 70 x 10t-5 + 11t-1 Helper - 990 x 70 x 15t-3

## CLUTCH (MANUAL MODELS)

Type	Hydraulic control (air assisted), Diaphragm spring, Single dry plate, Pre-damper
Facing Size	362 mm (outside diameter) x 236 mm (inside diameter)
Facing Material	Non-Asbestos

## WHEELS & TYRES

Wheel Type	Single Front, Dual Rear
Wheel Size	Front, Rear: 17,5 x 5,25
Material	Steel
Tyre Size	Front: 205/75R17,5 Rear: 205/75R17,5
Number of Tyres	6
Spare Tyre Carrier	Equipped

## ELECTRICAL

Type	24V Electrical System
Battery	2 x MF 90Ah Batteries
Alternator	24V-55A
Starter Type	24V-5,0KW
Interior & Reading Lamps	LED

## CHASSIS FRAME

Wheelbase Variants	LWB	ELWB
Wheelbase (mm)	4,050	4,400
Overall Length (mm)	6,870	7,370
Cab to Rear Axle	3,160	3,510
Cab to End of Frame	4,790	5,290
Min. Ground Clearance	220	220

## PERFORMANCE

Transmission	Manual	Automatic
Application Engine	D4GA14	D4GA17
Max. Speed (km/h)	131.3	131.3
Max. Gradeability (tan <sup>^</sup> )	0.413	0.413

## FUEL TANK

Material	Steel
Fuel Capacity	100L
Fuel Cap	Equipped

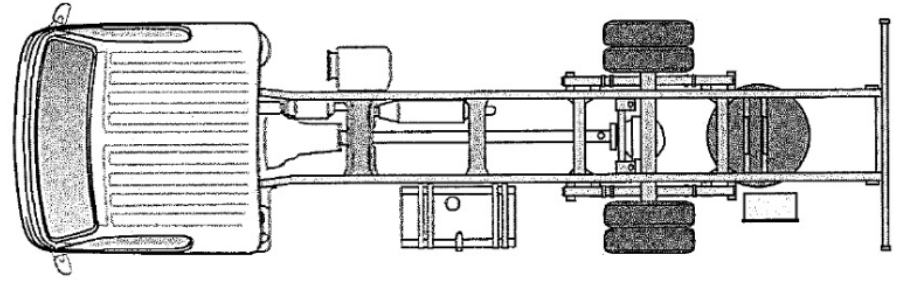
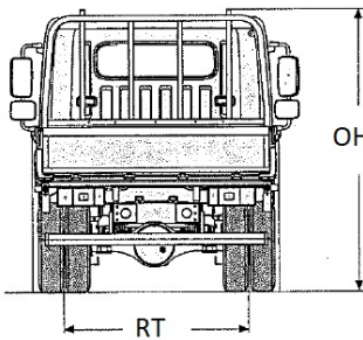
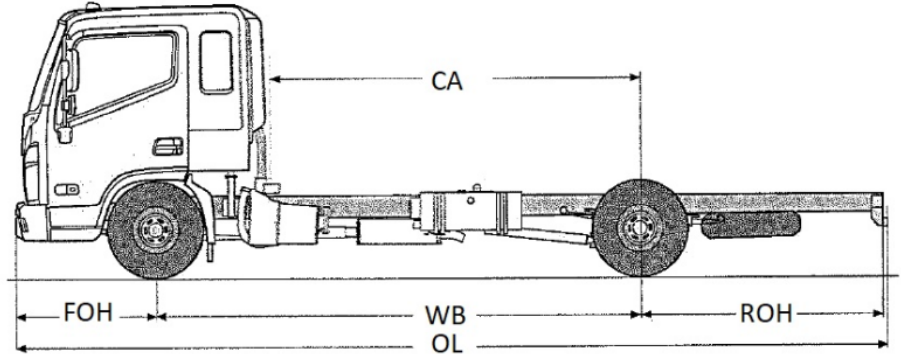
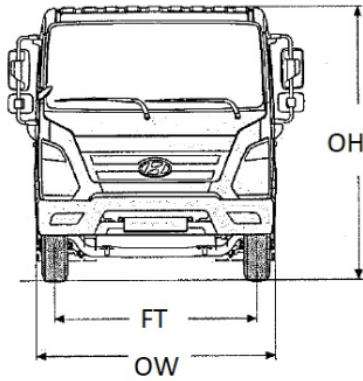
## STEERING

Steering Type	4-Spoke, Ball-nut type, Tilt & Telescopic steering column
Steering Gear Ratio	20,1 (Tilting Angle: -3,7 ~ 5,8°)
Inside Steering Angle	44"
Outside Steering Angle	32"
Telescopic Stroke (mm)	60mm

## CAB DETAILS

CAB Type	Standard CAB
Seating Capacity	3
Seat Belts	Equipped
Sun Visor & Overhead Console	Equipped
Windscreen Wipers	2-Arm Wiper & Washers
Rear View Mirrors	External
Grille Colour	Black
Cab Heater & Air Conditioner	Equipped
Floor Covering	Vinyl Type
Central Locking & Keyless Entry	Equipped + Immobilizer
Cab Storage Pockets	Equipped
Power Windows	Equipped
Reverse Alarm	Equipped



**DIMENSIONS - (mm) / WEIGHTS - (kg)**


Wheelbase	LWB	ELWB	Wheelbase	LWB	ELWB
WB	4,050	4,400	FT	1,695	1,695
OL	6,870	7,370	RT	1,650	1,650
OW	2,020	2,020	<b>Curb Weight</b>	2,810	2,835
OH	2,285	2,285	<b>Front Curb Weight</b>	1,875	1,925
CA	3,160	3,510	<b>Rear Curb Weight</b>	935	910
FOH	1,125	1,125	<b>Gross Vehicle Weight</b>	7,800	7,800
ROH	1,630	1,780	<b>Front Axle Capacity</b>	3,100	3,100
			<b>Rear Axle Capacity</b>	5,100	5,100

**HYUNDAI MIGHTY WARRANTY**
**LIGHT DUTY RANGE**

MIGHTY EX8

**AXLE CONFIGURATION**

4X2

**STANDARD WARRANTY**  
 (whichever comes first)

 5 Years or 300,000km  
 (effective from 2021 production)

**CAB CORROSION / PERFORATION**

5 years

Battery warranty – 12 months from date of delivery  
 \* For conditions, refer to the Hyundai Trucks Parts & Service warranty manual

Disclaimer: Hyundai Trucks Australia reserves the right to alter vehicle specifications and equipment levels without notice. Some equipment featured on the vehicle in this brochure may not be available in Australia or may be optional to the extent permitted by the law. Hyundai Trucks Australia shall not be liable to any person as a result of reliance on the content of this document. Please consult your Hyundai Truck Dealer for the latest specifications, equipment levels, options, prices, colours and vehicle availability. Note: Information in this brochure is current as at 01/01/2021

You are never alone on the road in a Hyundai Mighty series truck. When you are covered by Hyundai's 24/7 3 year nationwide truck roadside assist, you will never find yourself stranded.


**READY BUILT. READY TO WORK.**

## AVAILABLE FACTORY BODY OPTIONS

### FLAT DECK

Length x Width x Height	LWB	ELWB
<b>Deck Area</b>	5,100mm x 2,450mm	6,000mm x 2,450mm
<b>Est. Weight</b>	889kg	986kg

