

MIGHTY EX8 – EURO 6 SUPER CAB



*Actual vehicle may differ from above image

4 x 2 Super Cab Chassis

KEY FEATURES

KEY SPECIFICATIONS

Vehicle Dynamic Control (VDC)	GVM	8,000kg
Autonomous Emergency Braking System (AEBS)	GCM	11,500kg
Driver's Suspension Seat	Engine	3.9L Diesel 4 Cylinder Turbo Euro 6
ADR 80/04 (Euro VI) Compliant	Power	170ps/125kW
Lane Departure Warning System (LDWS)	Torque	608Nm
Four Wheel Disc Brakes	Transmission	6 speed Manual / 6 speed Automatic
SRS Airbags Driver & Passenger	Wheelbase	LWB 4.05m, ELWB 4.4m
Cruise Control	Max. Body Length	LWB 5.3m, ELWB 6.0m

READY BUILT, READY TO WORK

 **HYUNDAI TRUCK & BUS**

ENGINE

Engine Model	Hyundai D4GB17
Engine Type	Diesel 3.9L Inline 4 Cylinder Turbo
Max. Output	170ps@2,500rpm
Max. Torque	608Nm@1,400rpm
Emission Level	ADR 80/04 - Euro VI
Fuel Injection	Electrical type by ECU
Cooling System	Water cooling type with thermostat
Compression Ratio	17.1: 1
Piston Displacement	3,933 cc
Bore and Stroke	103 x 118 (mm)
Valve System	SOHC, 4 valves per cylinder
Exhaust	Catalytic Converter DOC/DPF/SCR
Alternator	24V-55A
Engine Immobilizer	Equipped



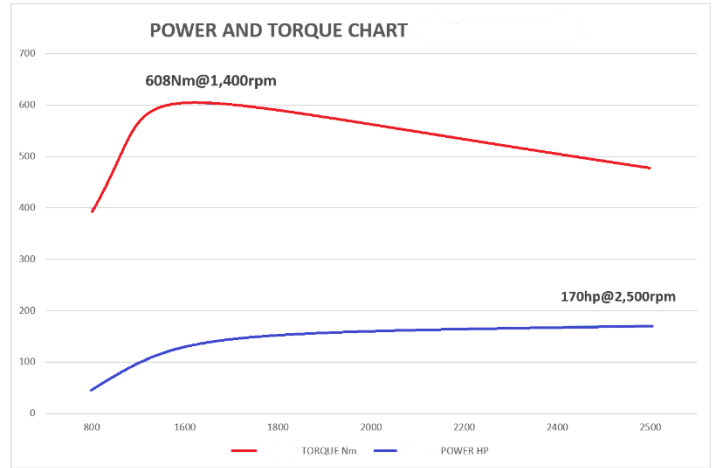
TRANSMISSION & GEAR RATIOS

Model & Description	Manual Transmission (T060S6)		Automatic Transmission (Allison T1000)	
	6 Speed Manual		6 Speed Automatic	
Gear Ratios	1	6.701	1	3.102
	2	3.712	2	1.811
	3	2.084	3	1.406
	4	1.351	4	1.000
	5	1.000	5	0.712
	6	0.732	6	0.614
	REVERSE	5.983	REVERSE	4.49
Gear Shaft	Floor Shift		Mechanical Remote Control	
Rear Axle Ratio	3.727		4.111	

BRAKES

Type	4 wheel Disc Brakes
Actuation	Hydraulic with vacuum servo assistance, dual circuit
Front Disc Size	Disc 107 mm x 21.5mm
Rear Disc Size	Disc 107 mm x 21.5mm
Adjuster	Installed
Vehicle Stability Control (VSC)	Equipped
Parking Brake	Internal expanding type on propeller shaft at the rear of transmission assembly
Anti-lock Brake System (ABS)	Equipped
Electronic Braking System (EBS)	Equipped
Autonomous Emergency Braking System (AEBS)	Equipped

POWER AND TORQUE CHART



SAFETY FEATURES

Vehicle Dynamic Control	VDC (Equipped)
Electronic Stability Control	ESC (Equipped)
Anti-lock Brake System	ABS (Equipped)
Traction Control System	TCS (Equipped)
Lane Departure Warning System	LDWS (Equipped)
SRS Airbag	Driver & Passenger
Autonomous Emergency Braking System	AEBS (Equipped)
Cruise Control	CC (Equipped)
Driver's Suspension Seat	Equipped

SUSPENSION & LOAD LIMITS

Front Axle Type	Reverse Eliot Type "I" Beam	
Front Axle Capacity	3,100 kg	
Rear Axle Type	Full Floating Type	
Rear Axle Capacity	6,600 kg	
Suspension Types	Multi / Multi	
Shock Absorber	Double Acting	
Spring Size Front (mm)	1,200 x 70 x 11t-2, 10t-3	
Spring Size Rear (mm)	Main	Helper
	1,250 x 70 x 10t-5 + 11t-1	990 x 70 x 15t-3

CLUTCH (MANUAL MODELS)

Type	Hydraulic control (air assisted), Diaphragm spring, Single dry plate, Pre-damper
Facing Size	362 mm (outside diameter) x 236 mm (inside diameter)
Facing Material	Non-Asbestos

WHEELS & TYRES

Wheel Type	Single Front, Dual Rear
Wheel Size	Front, Rear: 17.5 x 5.25
Material	Steel
Tyre Size	Front: 215/75R17.5 Rear: 215/75R17.5
Number of Tyres	6
Spare Tyre Carrier	Equipped

ELECTRICAL

Type	24V Electrical System
Battery	2 x MF 90Ah Batteries
Alternator	24V-55A
Starter Type	24V-5.0KW
Interior & Reading Lamps	LED

CHASSIS FRAME

Wheelbase Variants	LWB	ELWB
Wheelbase (mm)	4,050	4,400
Overall Length (mm)	6,870	7,370
Cab to Rear Axle	3,160	3,510
Cab to End of Frame	4,790	5,290
Min. Ground Clearance	195	195
Min. Turning Radius	7,700	8,400

PERFORMANCE

Transmission	Manual	Automatic
Application Engine	D4GB17	D4GB17
Max. Speed (km/h)	143.2	143.2
Max. Gradeability (tan θ)	0.378	0.378

FUEL TANK

Material	Steel
Fuel Capacity	100L (Optional: 150L)
Fuel Cap	Equipped
AdBlue Tank Capacity	15L

STEERING

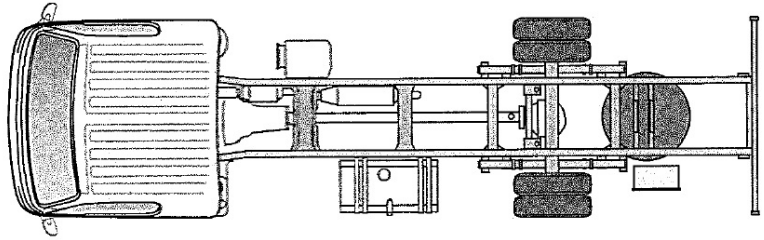
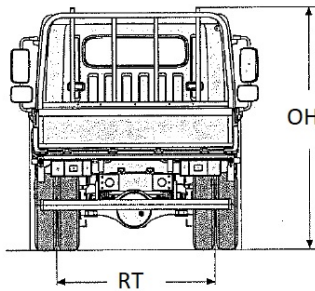
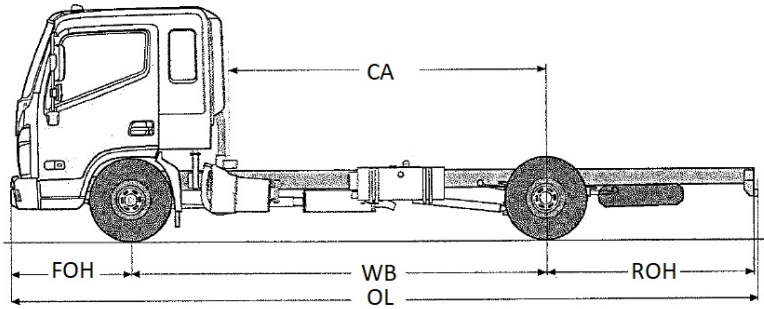
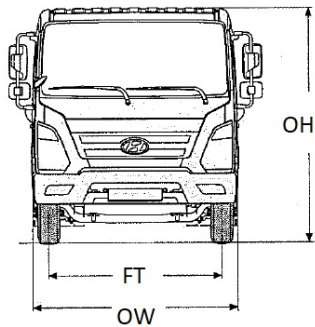
Steering Type	4-Spoke, Ball-nut type, Tilt & Telescopic steering column
Steering Gear Ratio	20.1 (Tilting Angle: -3.7 ~ 5.8°)
Inside Steering Angle	44.5°
Outside Steering Angle	32°
Telescopic Stroke (mm)	60 mm

CAB DETAILS

CAB Type	Super CAB
Seating Capacity	3
Seat Belts	Equipped
Sun Visor & Overhead Console	Equipped
Windscreen Wipers	2-Arm Wiper & Washers
Rear View Mirrors	External
Grille Colour	Black
Cab Heater & Air Conditioner	Equipped
Floor Covering	Vinyl Type
Central Locking & Keyless Entry	Equipped with Immobilizer
Cab Storage Pockets	Equipped
Power Windows	Equipped
Reverse Alarm	Equipped



DIMENSIONS – (mm) / WEIGHTS – (kg)



Wheelbase	LWB	ELWB
WB	4,050	4,400
OL	6,870	7,370
OW	2,020	2,020
OH	2,285	2,285
CA	3,160	3,510
FOH	1,125	1,125
ROH	1,695	1,845
FT	1,675	1,675
RT	1,670	1,670
Curb Weight	2,940	2,965
Front Curb Weight	1,955	2,005
Rear Curb Weight	985	960
Gross Vehicle Weight	8,000	8,000
Front Axle Capacity	3,100	3,100
Rear Axle Capacity	6,600	6,600

HYUNDAI MIGHTY WARRANTY

LIGHT DUTY RANGE	AXLE CONFIGURATION	STANDARD WARRANTY (whichever comes first)	CAB CORROSION / PERFORATION
MIGHTY EX8	4 X 2	5 years or 300,000km	3 years

Battery warranty – 12 months from date of delivery

* For conditions, refer to the Hyundai Trucks Parts & Service warranty manual

Disclaimer: Hyundai Trucks Australia reserves the right to alter vehicle specifications and equipment levels without notice. Some equipment featured on the vehicle in this brochure may not be available in Australia or may be optional to the extent permitted by the law. Hyundai Trucks Australia shall not be liable to any person as a result of reliance on the content of this document.

Please consult your Hyundai Truck Dealer for the latest specifications, equipment levels, options, prices, colours and vehicle availability.

Note: Information in this brochure is current as at 01/08/2025

You are never alone on the road in a Hyundai Mighty series truck.



When you are covered by Hyundai's 24/7 nationwide truck roadside assist, you will never find yourself stranded.

AVAILABLE FACTORY BODY OPTIONS

FLAT DECK	Length x Width	
Deck Area	(LWB) 5,100mm x 2,450mm	(ELWB) 6,000mm x 2,450mm
Est. Weight	889kg	986kg



PANTECH	Length x Width x Height	
Dimensions	(LWB) 5,000mm x 2,390mm x 1,900mm	
Est. Weight	1,000kg	

***Available options** – Side Door, E-track, Tie Rails, Rear Roller Door, Triple Rear Door
(Please note the internal dimensions may differ depending on the side door option)



CHILLER	Length x Width x Height	
Dimensions	(LWB) 5,000mm x 2,390mm x 1,900mm	
Est. Weight	1,100kg	

Operating Temperature – 0 to 4°C

***Available options** – Side Door, E-track, Tie Rails, Rear Roller Door, Triple Rear Door
(Please note the internal dimensions may differ depending on the side door option)



FREEZER	Length x Width x Height	
Dimensions	(LWB) 5,000mm x 2,390mm x 1,900mm	
Est. Weight	1,300kg	

Operating Temperature – down to -17°C
*Based on actual testing at 32°C
 (ambient temperature)*

***Available options** – Side Door, E-track, Tie Rails, Rear Roller Door, Triple Rear Door
(Please note the internal dimensions may differ depending on the side door option)



Factory body warranty - 12 months from date of delivery